

# Aqua Buddy V2 Portable Upgrade

PN: 266000



**SPECTRUM**  
**AQUATICS®**  
A **PLAYCORE** Company

7100 Spectrum Lane | Missoula MT 59808 | 800.791.8056 | [www.spectrumproducts.com](http://www.spectrumproducts.com)

You have purchased a Spectrum Products Aqua Buddy V2 Portable Upgrade for an existing Aqua Buddy 2.0 Lift (P/N 2460017). Providing the unit is installed correctly and properly maintained, it will furnish you with many years of trouble-free use. It is important to read this entire manual prior to beginning assembly or operation.

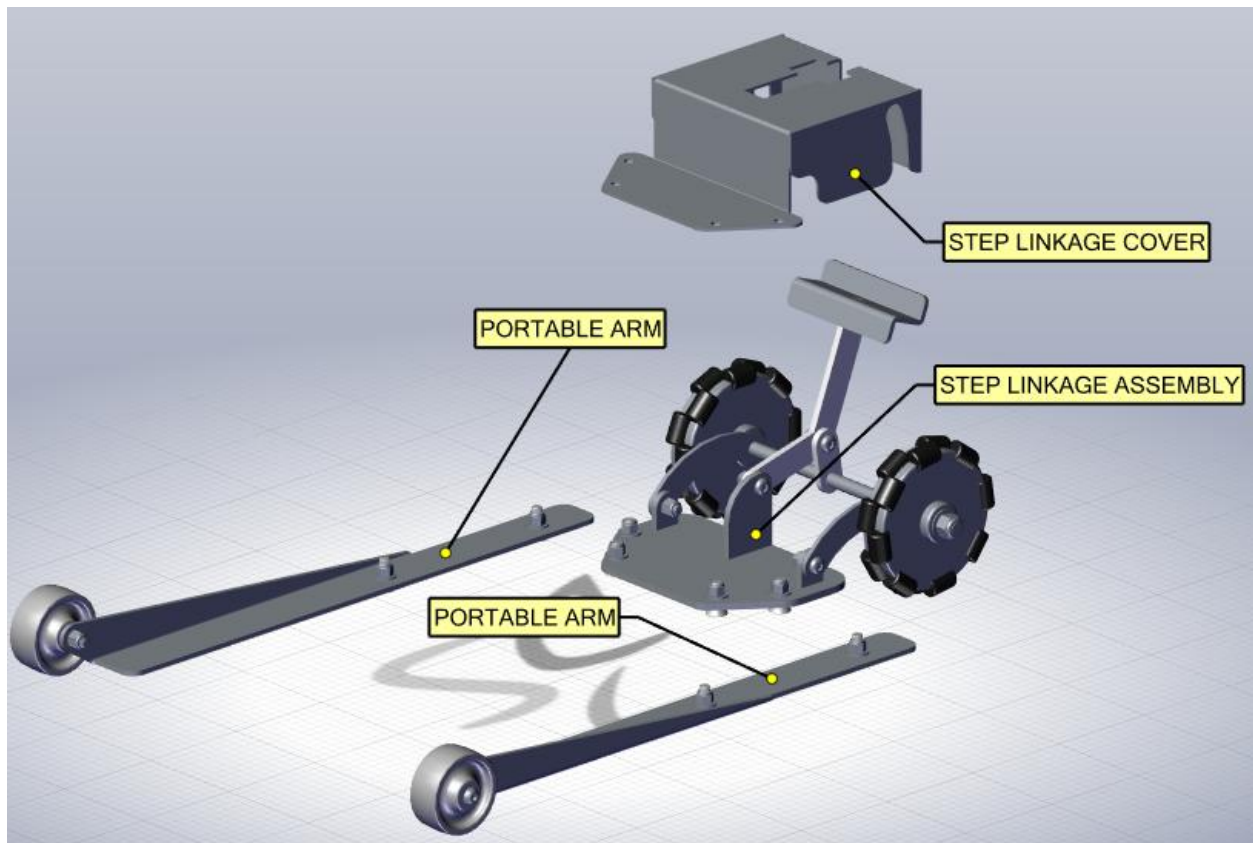
### Shipping Information:

Each unit will arrive partially assembled in one box. Before accepting the package from the carrier, inspect for visible damage and match the contents with those listed below. Spectrum is not responsible for lost or damaged freight.

The box will contain all structural components and hardware. The following is a list of the components included with your shipment from Spectrum. Use Components and Hardware Figure below as a reference to identify each item listed.

|   |   |   |                            |
|---|---|---|----------------------------|
| 1 | Aqua Buddy Portable Step Linkage Assembly | 2 | Aqua Buddy Portable Arms   |
| 1 | Aqua Buddy Step Linkage Cover             | 1 | Assorted Assembly Hardware |
| 4 | Drop-In Anchors                           | 4 | Hand Knobs                 |

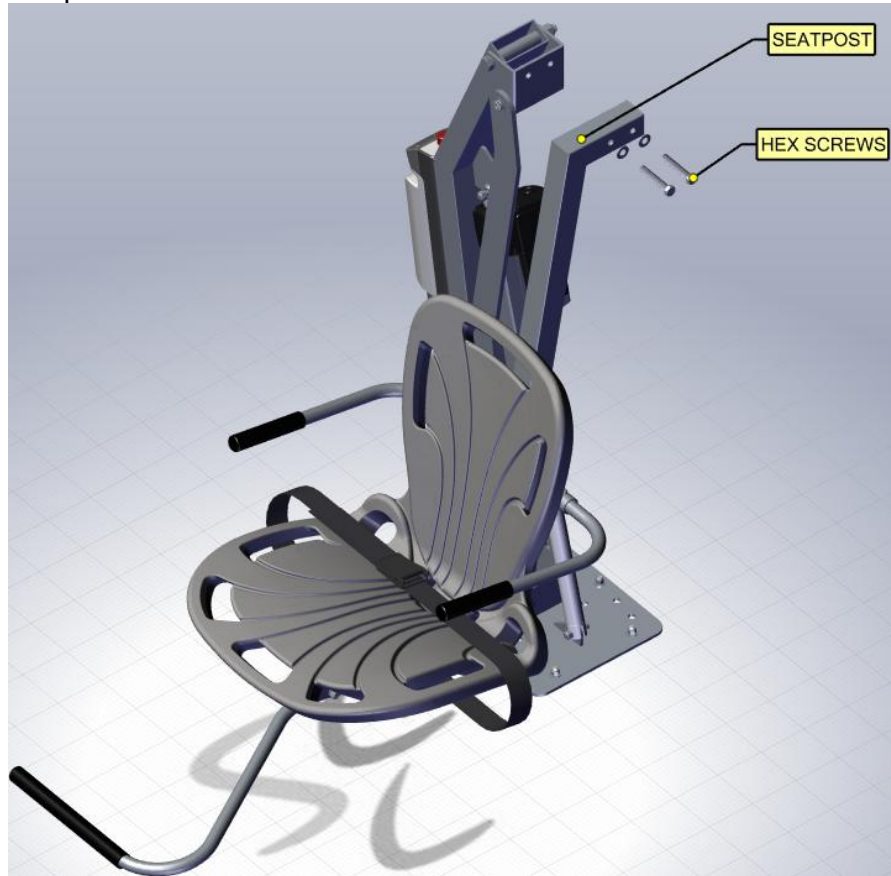
### Components and Hardware:



## Installation of Portable Kit on Lift

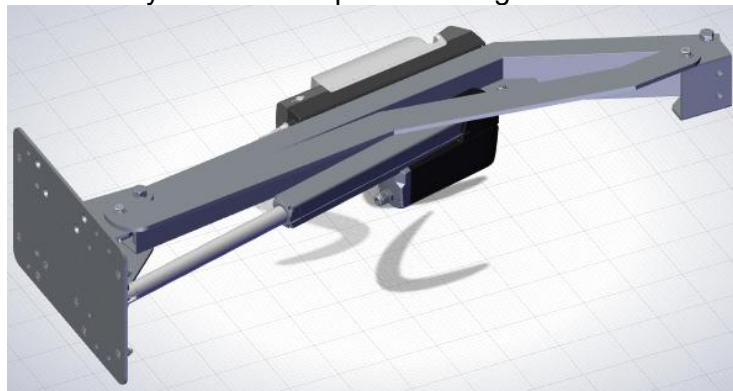
Read all instructions before attempting to assemble or install the lift.

1. It is recommended that the seatpost be removed for ease of installation of the portable kit
  - a. Remove the 2 ea. hex screws holding the seatpost to the lift and set the seatpost and hardware aside.



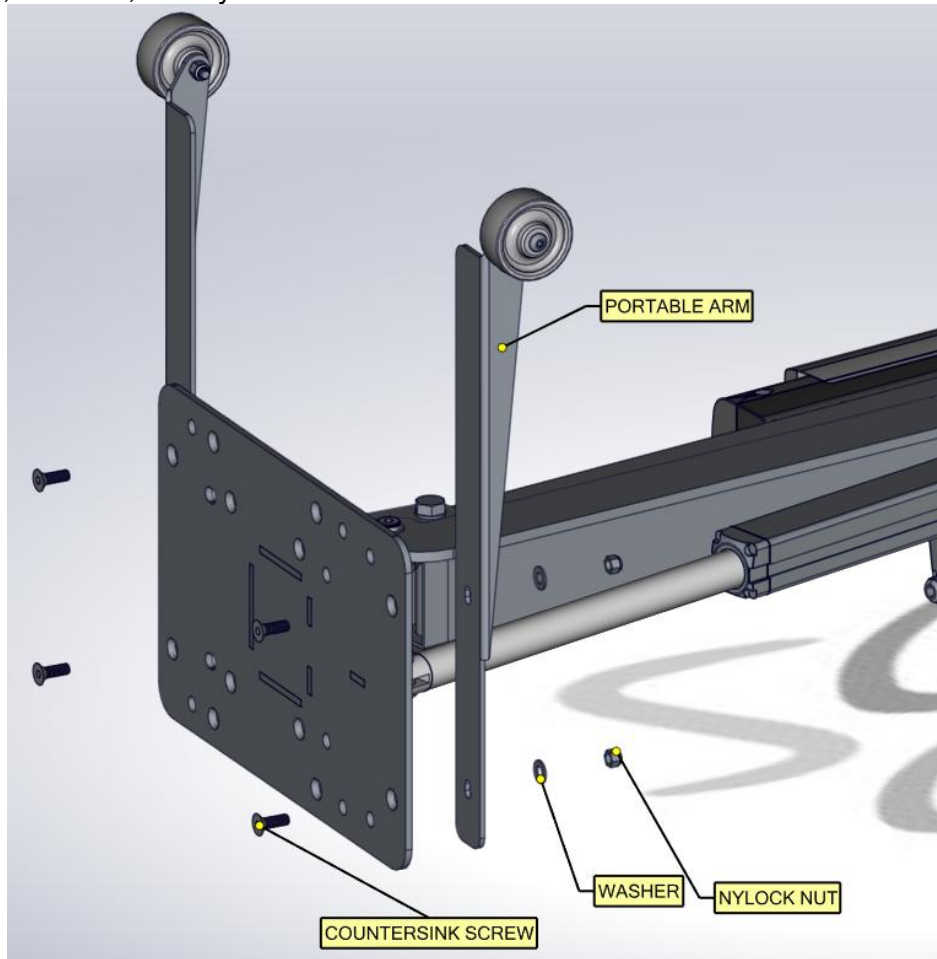
b.

2. Gently lay the lift down on the ground as shown being careful not to damage the powder coat
  - a. You can lay it down on top of a moving blanket or cardboard to protect the lift



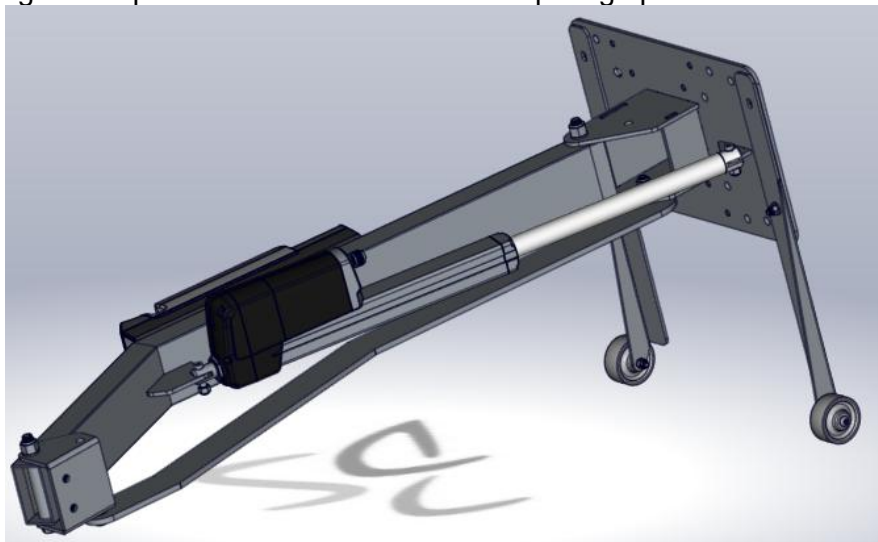
b.

3. Locate the supplied portable arms and install them using the supplied countersink screws, washers, and nylock nuts as shown



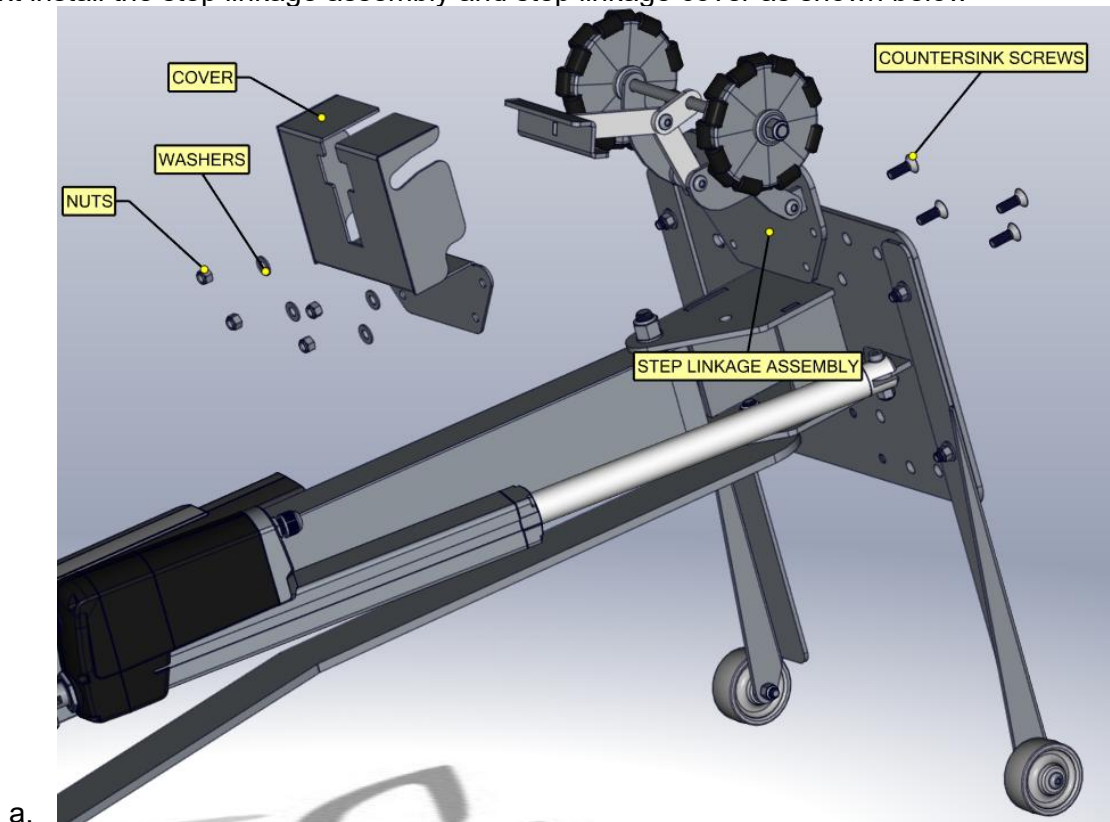
a.

4. After tightening the portable arms to the lift base, stand the lift up and tilt it so it is balancing on the portable arm wheels and the top hinge point of the lift as shown



a.

5. Next install the step linkage assembly and step linkage cover as shown below



6. Lastly, stand up the lift and re-install the seatpost you originally removed. You can now proceed to the anchoring portion of the installation

**Anchor Installation:**

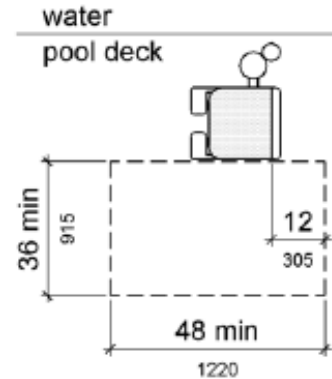
If you have existing drop-in anchors installed for your current Aqua Buddy V2, you can reuse them with the provided hand knobs for operation of the lift. If you do not currently have anchors installed for the lift proceed to the “Anchor Installation Overview” section.

## Anchor Installation Overview

Read all instructions before installing anchors.

### Clear Deck Space:

The lift must be installed in a location that is clear from obstacles and other hazards in order to be compliant with ADA guidelines. Clear deck space is defined by the figure to the right. This rectangle is 48" long (along the pool wall) and 36" wide. The clear deck space shall have a slope not steeper than 1:48.



### Seat Centerline/Depth:

When resting on deck, the seat centerline must be at least 16" from the edge of the pool. The seat must submerge at least 18" in order to meet ADA compliance. The Aqua Buddy Lift will support pools with a water draft (vertical measurement of deck to water level) up to 10" for ADA compliance.

### Pool/Spa Depth:

To comply with ADA guidelines the lift must be installed where the water depth does not exceed 48". If the entire pool is deeper than 48" this requirement does not apply.

### Anchor Location/Installation:

In order to be ADA compliant, the plate centerline must be placed between 19" and 23.5" from the pool/spa wall (or any feature that sticks out past the pool/spa wall, such as a coping). However, the plate centerline can be placed as close as 9" from the pool/spa wall if ADA compliance is not of concern. The lift is installed with four (4) drop-in 1/2"-13 internal threaded stainless steel anchors. **Ensure all ADA conditions above are met and lift fits properly at intended location on pool deck before beginning installation.**

The following tools will be required to complete installation of the lift:

- Safety Glasses, Dust Mask
- Tape Measure
- Marker, Pen or Pencil
- Hammer or Mallet
- 5/8" Masonry Drill Bits
- Drill / Hammer Drill
- Vacuum
- 1/4" Allen Key
- 8 AWG copper wire (used for bonding)
- Ring Terminal for use with 8AWG wire and 1/2" hardware (used for bonding)
- (1) 304L Stainless Steel 1/2" External Tooth Washer (provided, used for bonding)

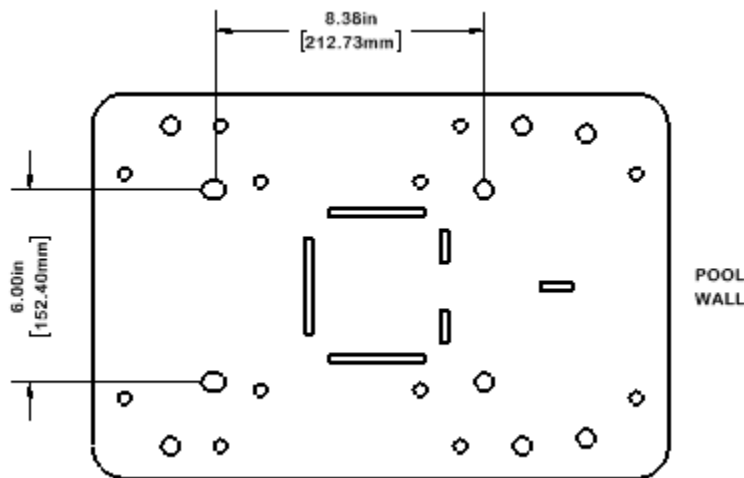
- (4) 304L Stainless Steel ½"-13x2" Drop-In Anchors (provided)
- (4) 304L Stainless Steel Screws ½"-13x2" Hand Knobs (provided)

### Hole Pattern Selection Instructions

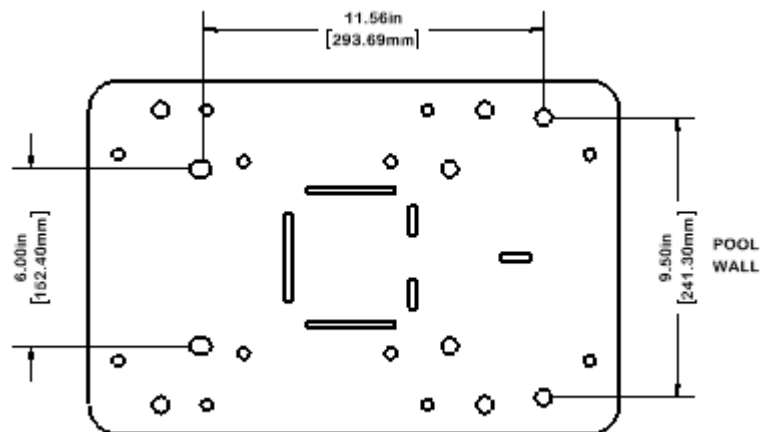
If you purchased the optional cast-in anchor (P/N 266001) for decks that have not yet been poured, then you can skip this section as your mounting locations will already be permanently installed and ready for use.

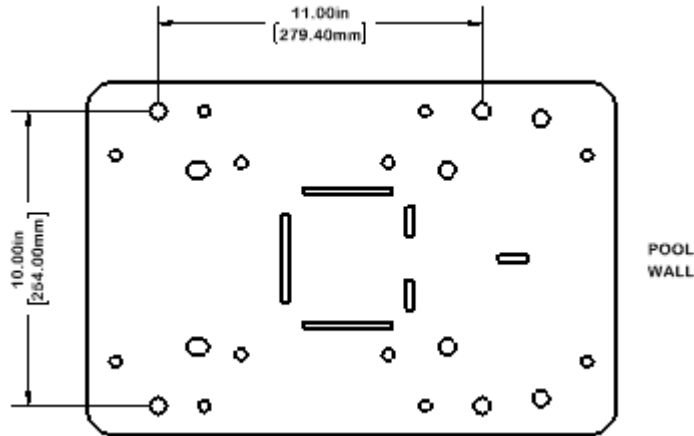
The user should decide which of the following hole patterns to use before beginning the process of installing the Aqua Buddy Lift. Each hole pattern requires 4 anchoring locations:

New Facility/Existing Facility Recommended Installation: Use this hole pattern for placing this lift in a location that hasn't previously had a swim lift installed, whether it be a new or existing facility. **When installing, be sure to mark intended anchor locations using the curves of the slotted holes CLOSEST to the pool wall.**



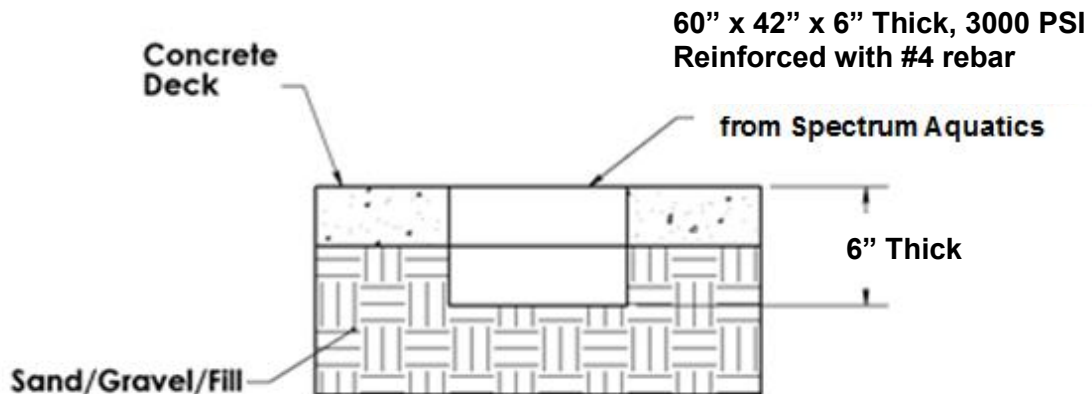
Additional Hole Pattern Installations: Use either of the two hole patterns shown below if there is interference with using the recommended hole pattern.





**Anchor Installation (New and Existing Concrete)**

- a. Using the anchor plate on the lift and one of the anchor patterns listed above, mark locations for the drop-in anchors using a marker, pen or pencil. Ensure that this positioning will work for the lift and pool. **If utilizing the recommended hole pattern, be sure to mark intended anchor locations using the curves of the slotted holes CLOSEST to the pool wall.**
- b. Minimum requirements for concrete slab shall be at least 48"x48"x6" thickness, 3000psi, reinforced with #4 rebar. If your pool deck does not meet these requirements, the pool deck must be cut and replaced with a new slab that meets these requirements. An engineer stamped letter can be furnished by Spectrum if requested. If the deck cannot be replaced, please contact Spectrum Aquatics for further direction.



- c. Note that in the case of a new concrete installation, the concrete must be cured to a minimum of 75% or seven days before anchor placement.
- d. Locate a bonding source to bond (ground) the anchor. The steel rebar-bonding grid of the pool deck is the best choice for bonding the anchor. Attach a No. 8 solid copper wire (NEC Section 680-22) from the bonding grid to one of the four anchor locations. **To ensure proper bonding of the lift through powder coat finish, it is important to place the**

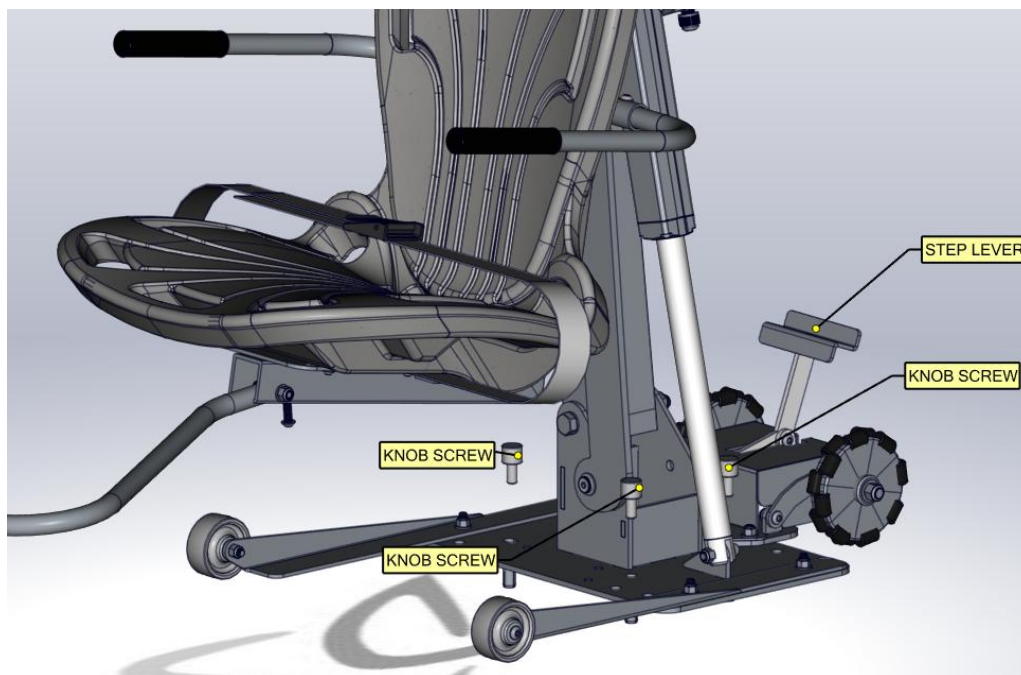
1/2" external tooth washer between the hex cap of the mounting screw and the base plate of the lift for the specific anchor point that is grounded.

- e. Use a 1/4" masonry drill bit to drill the four (4) holes two inches deep. Ensure that all 4 holes are drilled perpendicular to deck surface. The deck surface must not have a slope in any direction steeper than 1:48 to meet ADA requirements. Ensure there is not a sharp change in slope at Aqua Buddy installation location in order to ensure the full surface of the plate rests uniformly on the deck.
- f. Place tape on a 5/8" masonry drill bit. This tape should sit exactly 2 inches above the bottom of the bit. Drill downwards into the existing holes from the previous step, making sure the holes remain level. **Do not drill deeper than 2 inches.**
- g. Completely vacuum out the four holes.
- h. Install the drop-in anchors that have been provided. Place the anchors into the holes, locate the setting tool and strike the setting tool with a hammer or mallet multiple times. The anchor bottoms will separate and press against the concrete.

### Installation of the Lift into Anchor

To Install the lift for use:

1. Step down on the step lever to lock the lift into transportation mode
2. Wheel the lift out to your anchor location
3. Lift up on the step lever to disengage the wheels
4. Align the 4 mounting holes with the anchors
5. Use the provided knobs to screw the lift down hand tight.



The lift is now ready for operation, if the lift is to be kept anchored for multiple days, it is recommended that operators verify that the hand knobs are all still tight before use. To remove the lift, simply follow the above steps in reverse.

## **Care and Maintenance**

The following should be performed periodically to ensure safe and dependable use.

1. The Aqua Buddy V2 Portable Upgrade comes standard with a powder coated finish. Do not use stainless steel solvents or abrasive scratch pads while cleaning the lift.
2. Clean all structural components with a warm sponge and a diluted solution of detergent or dishwashing soap. This reduces the chances of scratching or damaging the finish during cleaning.
3. Check all mechanical connections – inspect the hardware on all moving parts and make sure they are snug. Lubricate all pivot points with light oil (3-1).