

# Aqua Buddy 350 V2 Portable - 266002

The lift shall be designed for use on aboveground or in-ground swimming pools and/or spas and shall accommodate installation at a range of 9"- 23" from the pool wall to the centerline of the anchoring plate; with a maximum water draft measurement of 15". The lift shall be potable, user-operated, and battery powered - requiring no more than a 24-VDC, rechargeable and shall be rated for a 350 lb. load capacity. The lift shall be designed in accordance with all ADAAG guidelines.

The assisted access lift shall consist of the following components:

### Portable Assembly

The lift shall come equipped with the portable upgrade kit allowing for quick transportation to and from storage and points of use. The supplied hand knobs provide quick and easy installation/ removal for operation on the pool deck. The Omni-Directional wheels help facilitate smooth transportation of the entire unit when transporting from storage and points of use.

### Linear Actuator

The battery-powered ram shall bolt to the lift superstructure and shall have a maximum in push thrust of 16,000 N and a maximum in pull of 16,000 N. The driver shall be a permanent magnet motor, 24-VDC. The unit shall have built in limit switches.

### Operating Controls and Power Source

Wired Control handset must be operable from pool or deck and shall be designed for ease of use. Wired Control handset shall be of molded plastic, and be sealed to IP67 to prevent water damage. Control buttons for up and down directional control shall be provided. Lift control system shall be fitted with an emergency stop.

The power source is to be a 24-VDC rechargeable battery. A battery charger, wall current to charge, with mounting bracket and electrical power cord, for remote installation, will be provided with the lift.

### Lift Superstructure

The lifting arm shall be constructed of 4.00"x2.00" 304L powder coated rectangular stainless steel tubing with a .120" wall thickness. Other working components of the lift shall be constructed of 304L powder coated stainless steel plate or tubing. Standard powder coating color will be Arctic White.

### Seat Assembly

The seat shall be constructed of a 304L powder coated stainless steel frame attached to a polymer seat assembly. This assembly shall be attached to the lift superstructure by a 2.00"x 2.00"x.120" 304L powder coated stainless steel square tube.

### Armrest

Each lift shall include (2) fold down armrests constructed of 1"x.120" 304L powder coated stainless steel tube. Each armrest shall be provided with a 6" black vinyl covering.

### Footrest

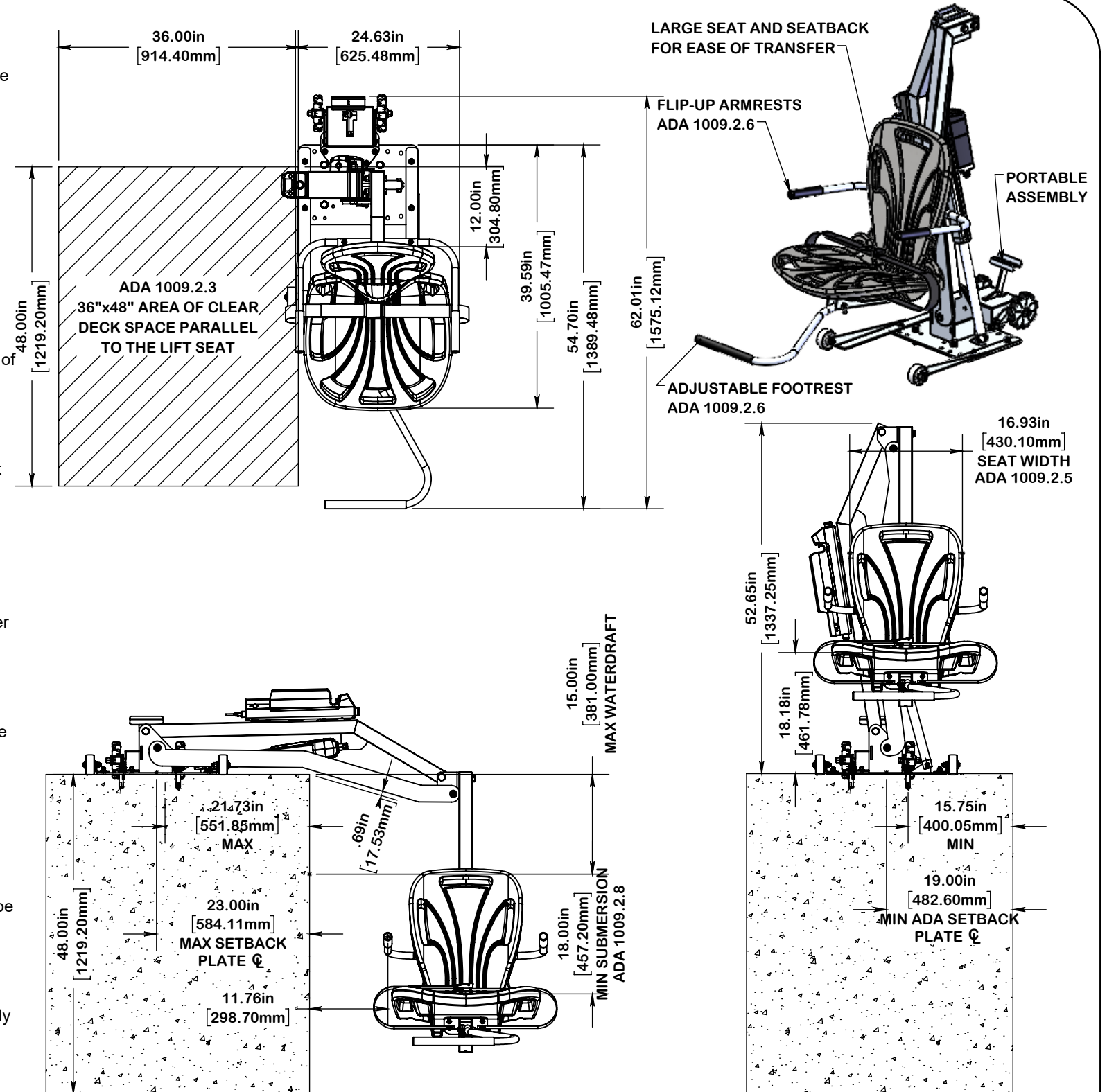
A vertically self-adjusting footrest constructed of 1"x.120" 304L powder coated stainless steel tube is provided. A 12" vinyl covering shall be included with the footrest.

### UL Listed for Safety and Reliability

The AquaBuddy Lift is proudly UL Listed, ensuring it meets rigorous safety and performance standards. This certification reflects our commitment to delivering dependable, high-quality equipment that adheres to nationally recognized safety requirements. Trust AquaBuddy for secure and compliant lifting solutions.

### Warranty

Two year limited warranty.

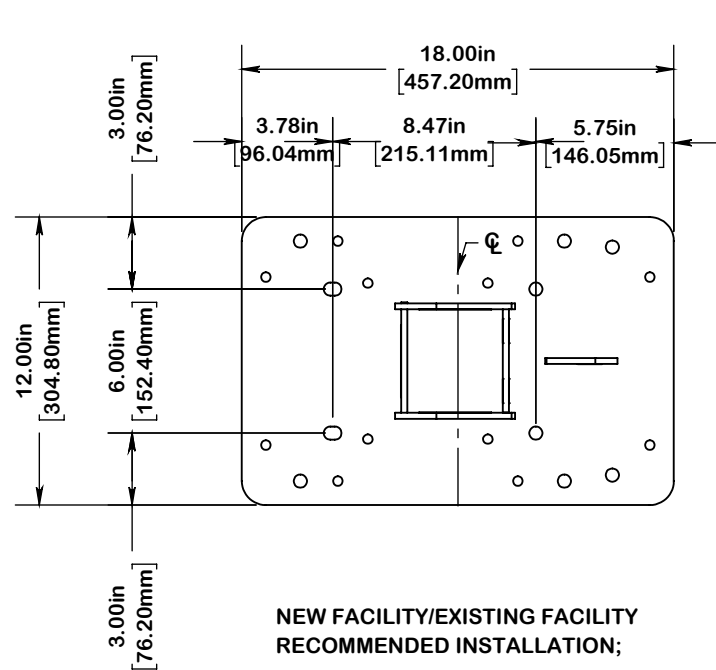


**SPECTRUM AQUATICS**  
A PLAYCORE Company  
7100 Spectrum Lane Missoula, Montana 59808  
800.791.8056 www.spectrumaquatics.com

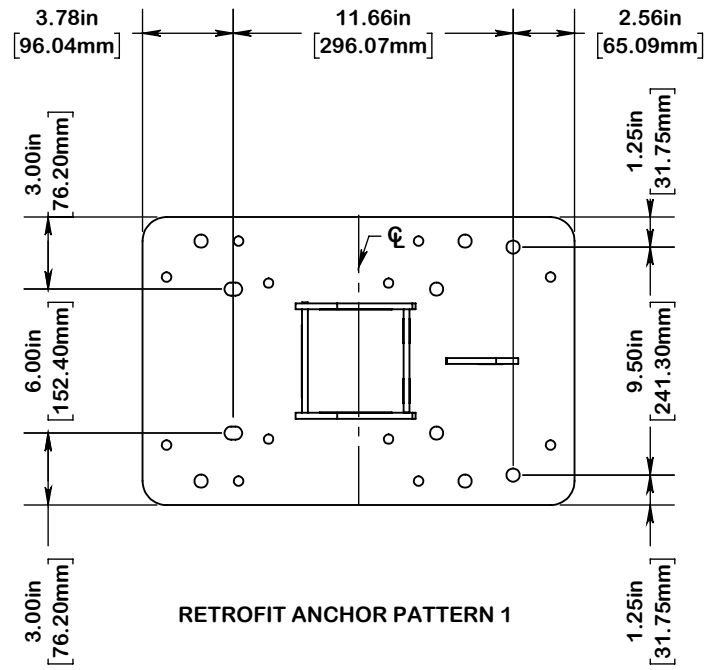
ENGINEERING DATA			
PRODUCT:	AQUABUDDY 350 V2 PORTABLE		
MODEL #:	266002	REVISION:	
MATERIAL:	SEE BOM		
FINISH #:	POWDER COAT WHITE		

**NOTE:**  
 ▲ DIMENSIONS VARY WITH SPECIFIC APPLICATIONS. SPECIFICATIONS ARE NOMINAL AND ARE SUBJECT TO CHANGE. PLEASE CONTACT SPECTRUM AQUATICS FOR CUSTOM APPLICATIONS

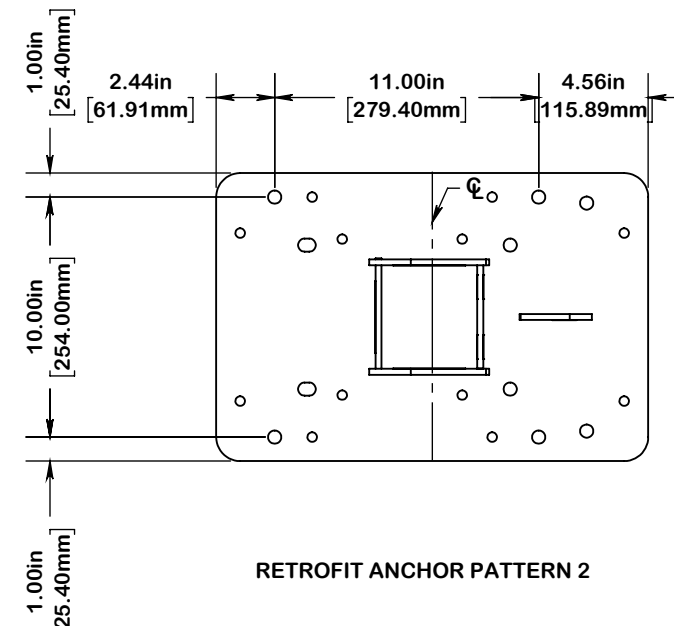
**RECOMMENDED SETBACK:**  
**PLATE  $\varnothing$  20" FROM POOL WALL**  
**TOTAL SETBACK RANGE: PLATE  $\varnothing$**   
**9" TO 23" FROM POOL WALL**  
**ADA SETBACK RANGE: PLATE  $\varnothing$**   
**19" TO 23" FROM POOL WALL**  
**WATERDRAFT RANGE: 0" TO 15"**



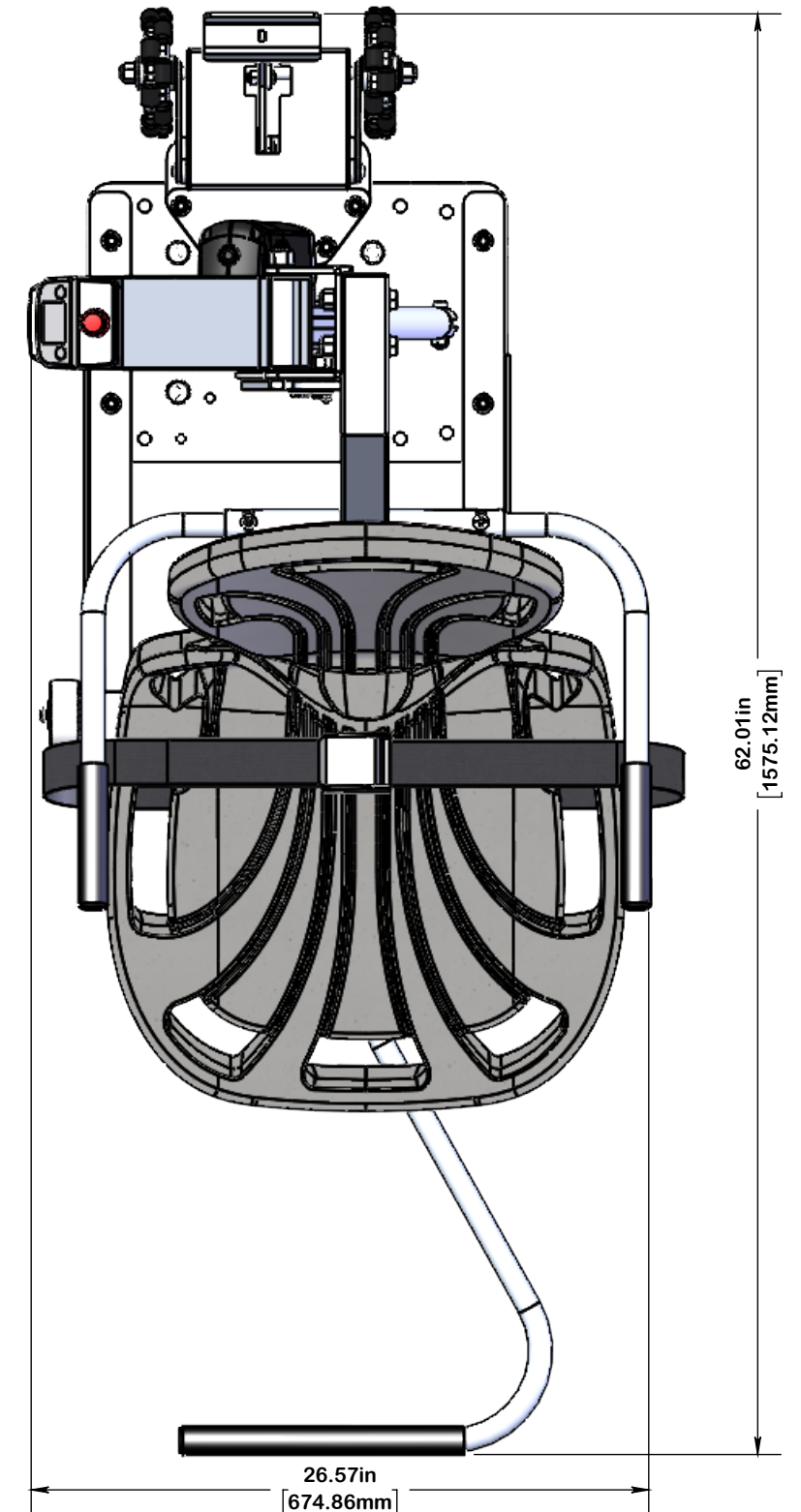
NEW FACILITY/EXISTING FACILITY  
 RECOMMENDED INSTALLATION;



RETROFIT ANCHOR PATTERN 1



RETROFIT ANCHOR PATTERN 2



NOTES:  
 1. ALL MOUNTING HOLES FOR USE WITH 1/2" HARDWARE



7100 Spectrum Lane Missoula, Montana 59808  
 800.791.8056 www.spectrumaquatics.com

## ENGINEERING DATA

PRODUCT:	AQUABUDDY 350 V2 PORTABLE		
MODEL #:	266002	REVISION:	
MATERIAL:			
FINISH #:			

NOTE:

*⚠ DIMENSIONS VARY WITH SPECIFIC APPLICATIONS. SPECIFICATIONS ARE NOMINAL AND ARE SUBJECT TO CHANGE. PLEASE CONTACT SPECTRUM AQUATICS FOR CUSTOM APPLICATIONS*