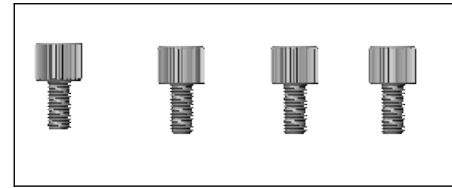


AQUABUDDY 2.0 PORTABLE CONVERSION KIT - 266000

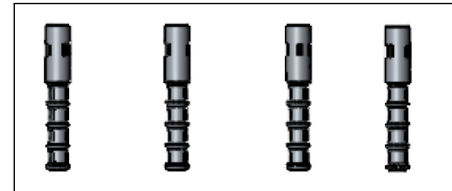
THE AQUABUDDY PORTABLE CONVERSION KIT IS MEANT FOR USE IN AREAS WHERE LIFTS ARE NOT PERMANENTLY INSTALLED. THE KIT INCLUDES ALL NECESSARY HARDWARE FOR INSTALLATION ON EXISTING AQUABUDDY V2 (2460017) AND IS POWDER COATED FOR DURABILITY.

USE
AFTER INSTALLATION OF THE PORTABLE ASSEMBLY TO THE AQUABUDDY, YOU CAN EASILY ROLL THE AQUABUDDY BETWEEN STORAGE AND ITS POINT OF USE BY SIMPLY STEPPING ON THE STEP LEVER AND PUSHING THE UNIT AROUND. THE UNIT IS INSTALLED WITH OMNI-DIRECTIONAL WHEELS AT THE BACK FOR EASE OF USE.

ANCHORING
THE KIT INCLUDES 4 EA. 1/2" EPOXY ANCHORS THAT ARE TO BE INSTALLED AT THE DESIRED POINT OF USE OF THE LIFT. STAINLESS STEEL KNOBS ARE SUPPLIED FOR AFFIXING THE LIFT TO THESE ANCHORS DURING USE OF THE LIFT. AN OPTIONAL CAST IN ANCHOR (P/N 266001) FOR NEW DECK BUILDS IS ALSO AVAILABLE TO INSURE ALIGNMENT OF THE ANCHORS TO THE ANCHORING PLATE.



KNOB SCREWS FOR QUICKLY SECURING TO POOL DECK FOR OPERATION



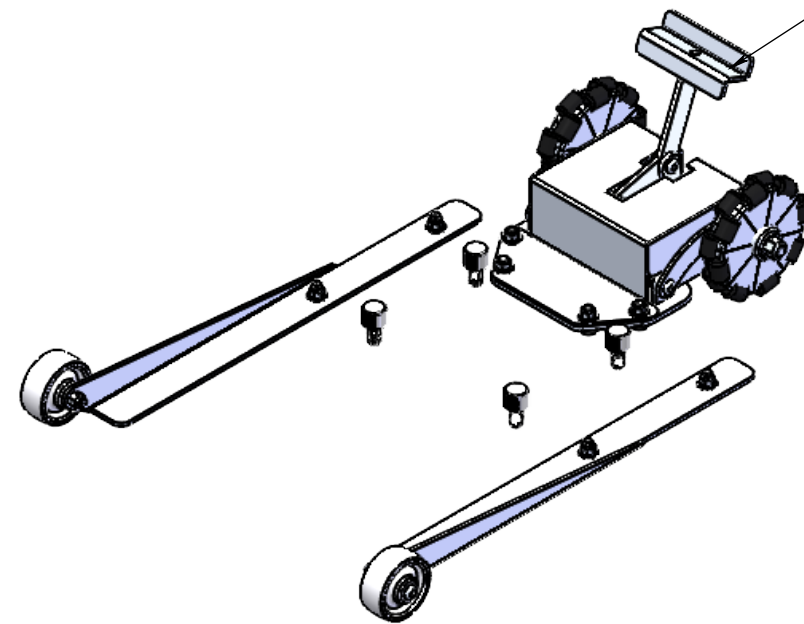
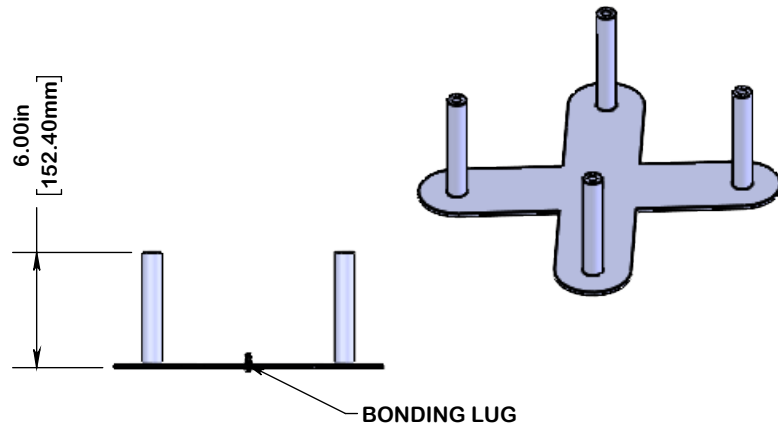
EPOXY ANCHORS TO BE PERMANENTLY INSTALLED IN DECK AT POINT OF USE



LOCKING STEP LEVER FOR SETTING INTO TRANSPORTATION MODE

OMNI-DIRECTIONAL WHEELS FOR EASE OF MOVEMENT

CAST IN ANCHOR (P/N 266001)
THE OPTIONAL CAST IN ANCHOR IS AVAILABLE FOR USE WHERE A NEW DECK IS BEING POURED. THE CAST IN ANCHOR REMOVES THE NECESSITY OF MANUALLY DRILLING AND GLUEING THE INDIVIDUAL ANCHORS AND INCLUDES A BUILT IN 1/4"-20 BONDING LUG.



A PLAYCORE Company

7100 Spectrum Lane Missoula, Montana 59808
800.791.8056 www.spectrumaquatics.com

ENGINEERING DATA

PRODUCT:	AQUABUDDY 2.0 PORTABLE CONVERSION KIT		
MODEL #:	266000	REVISION:	
MATERIAL:	STAINLESS STEEL		
FINISH #:	POWDER COAT WHITE		

NOTE:

⚠ DIMENSIONS VARY WITH SPECIFIC APPLICATIONS. SPECIFICATIONS ARE NOMINAL AND ARE SUBJECT TO CHANGE. PLEASE CONTACT SPECTRUM AQUATICS FOR CUSTOM APPLICATIONS